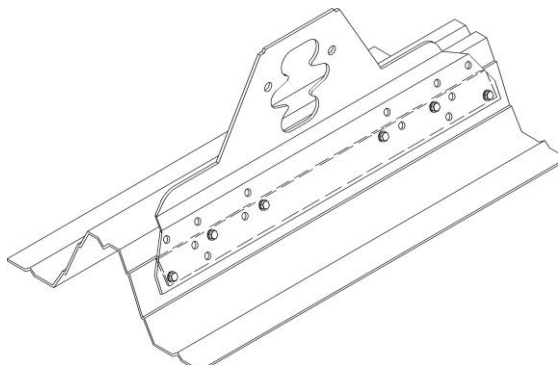


SNOW GUARD AND ROOF WALKWAY FIXTURE FOR LOAD-BEARING ROOFING PROFILES

1. Picture of the product



1. Snow guard and roof walkway fixture

2. Product description

The fixture of the roof walkway and snow guard is attached on the side of the load-bearing profiles to bring the snow guard tubes as close to the roof surface as possible. The distance between roof battens is usually longer in load-bearing profiles, which makes it difficult to use normal fixtures. Normal fixtures are only suitable for roof batten distances of 350 or 400 mm.

A sealing strip is glued on the fixtures where the screws are placed to prevent any leaks. We recommend using 7 * 40 mm HVAC screws. Self-drilling screws 6.3 x 25 mm may also be used. The number of screws is selected according to the profile material thickness:

S = 0.6 mm	8 pcs./fixture
S = 0.7–0.8 mm	6 pcs./fixture
S = over 0.8 mm	5 pcs./fixture

Recommended use of snow guard with a snow load of 180 kg/m² Maximum roof plane lengths, m

Maximum roof plane length above the snow guard (m)						
Angle (°) and slope ratio of the roof	Distance between snow guard fixtures (m)					
Snow load on the roof 1.8 kN/m ² (2.6 kN/m ²)						
	0.5 m	0.6 m	0.75 m	0.9 m	1.0 m	1.2 m
< 15°, (1:3.7)	21.4 (15.0)	17.9 (12.5)	14.3 (9.9)	12.0 (8.3)	10.7 (7.4)	9.0 (6.2)
15...22°, 1:3.7...1:2.5	11.4 (8.0)	9.5 (6.6)	7.6 (5.3)	6.3 (4.4)	5.7 (4.0)	4.8 (3.3)
22...27°, 1:2.5...1:2	8.4 (5.8)	7.0 (4.8)	5.6 (3.9)	4.7 (3.3)	4.2 (2.9)	3.5 (2.4)
27...37°, 1:2...1:1.3	7.4 (5.2)	6.2 (4.3)	4.9 (3.4)	4.1 (2.8)	3.7 (2.6)	3.1 (2.1)
37...45°, 1:1.3...1:1	9.0 (6.2)	7.5 (5.2)	5.9 (4.1)	5.0 (3.5)	4.5 (3.1)	3.7 (2.6)

Fixture types for different profiles

Roofing type

Rannila 45J A
 Rannila 45J B
 Rannila 45J R
 Rannila 45 A
 Rannila 45 B
 Rannila 45 R
 Ruukki T45
 Plannja Hovi 45
 Weckman W-45JR
 Weckman W-45JA
 Rannila 70 all types
 Ruukki T70
 Weckman W-70

Fixture type

KL3 RAN45-70 ks/le side fixture
 ”
 ”
 ”
 ”
 ”
 ”
 ”
 ”
 ”
 ”
 ”

Rannila 45 EA
 Rannila 45 EB
 Plannja Hovi 45ER
 Plannja Hovi 45EV
 Weckman W-45E
 Weckman W-45ER

KL3 RAN45-70E ks/le side fixture (different angle, approx. 133°)
 ”
 ”
 ”
 ”

Plannja 70

KL3 RAN45-70E ks/le side fixture (different angle, approx. 108°)

Rannila 113 all types
 Rannila 120 all types
 Ruukki T130
 Plannja 111/111M
 Weckman W-115
 Weckman W-130

KL3 RAN113-120 ks/le side fixture
 ”
 ”
 ”
 ”

Rannila 153 all types
 Ruukki T153
 Weckman W-155

KL3 RAN153 ks/le side fixture
 ”
 ”