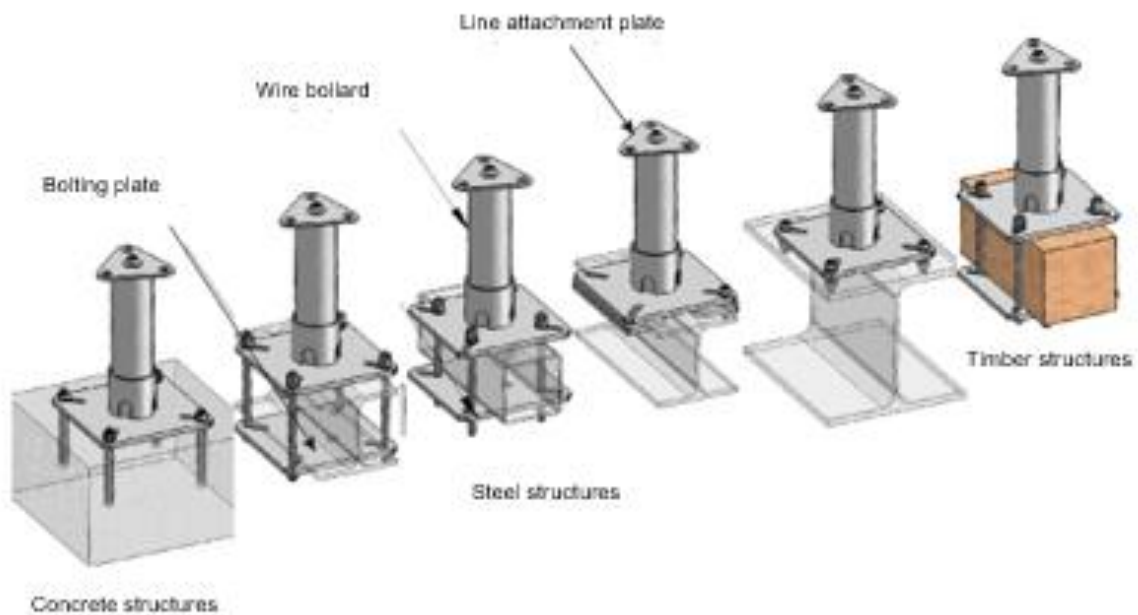


## WIRE BOLLARD

### 1. Pictures of the product and attachment options



### 2. Dimensions and information

- Material: hot-dip galvanized steel.
- Condense insulated inside.
- Only for personal protection, may be used as an anchor point for a suspended platform. Meets the requirements of EN 795.
- Can be used as an individual safety line anchor point or as a part of a wire system.
- When used in wire systems, the recommended distances between bollards are 6–8 m; longer distances are possible on a case-by-case basis.

